

Fiberglass Enclosures

Wall-Mount Enclosures Type 3R Continuous Hinge Cover Data Sheet



Application

- Houses electrical, electronic, instrument, and mechanical controls
- Intended for indoor or outdoor use
- Ideally suited for harsh environments
- Protects against corrosion, falling rain, sleet, and external ice formation

Standards

- **UL/cUL 50 Listed, Type 1, Type 3, Type 3R**
- Conforms to NEMA Standard for Type 1, Type 3, Type 3R
- CSA 22.2, Type 1, Type 3, Type 3R
- Temperature Range: -40°F to 250°F (-40°C to 120°C)
- Flammability Rating: UL94-5V
- Self Extinguishing: Non-flame propagating
- Chemical Resistance: (see chart, pages 458 - 461)

Finish

- Gray color

Accessories

- Back Panels (pages 290 - 291)
- See accessories (pages 292 - 293)

Construction

- Enclosures are an impact resistant, non-conductive, light-weight hot compression molded fiberglass reinforced polyester
- Poured polyurethane seamless gasket provides watertight, dust-tight environmental seal
- Rain shield to protect against incidental water ingress
- Twist lock latches provide ease of entry into enclosure
- 300 series stainless steel used on all external hardware
- Integral mounting feet molded in place for ease of mounting
- Integral mounting bosses utilize threaded brass inserts accepting #10-32 screws for mounting optional panel
- Rounded edges reduce build-up of dust and debris
- Full length stainless steel hinged cover
- Built in padlock hasp provide optional secure closure locking (padlock not included)

Discount Schedule: F2

Subclass: G00

Notes: Cooper B-Line can provide special modifications. Consult the factory for your special requirements.

Wall-Mount Enclosures Type 3R Continuous Hinge Cover Illustration Sheet and Catalog Number

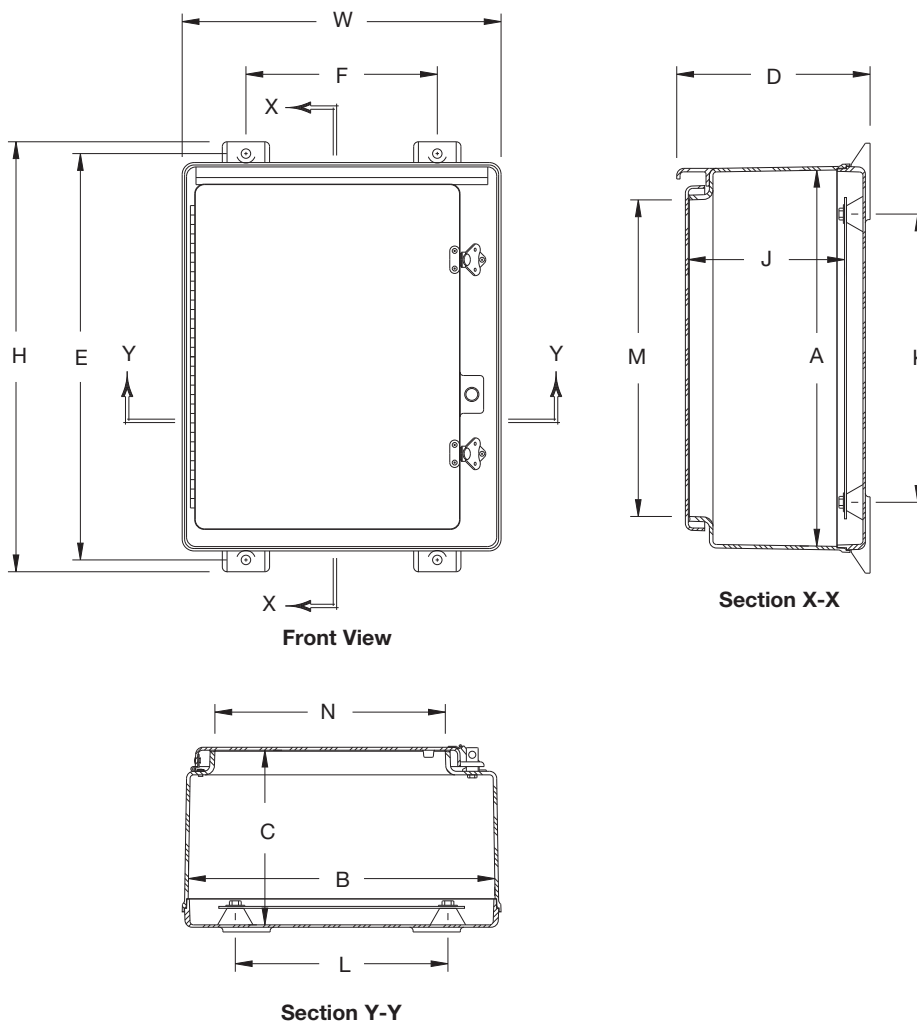
Enclosure Catalog #	Overall Dimensions		Inside Dimensions		Dimensions														Panel Number
	H x W x D		A x B x C		E		F		J		K		L		M		N		
	in.	mm	in.	mm	in.	mm	in.	mm	in.	mm	in.	mm	in.	mm	in.	mm	in.	mm	
242410-RHCF	27.00 x 25.24 x 11.90	686 x 641 x 302	24.05 x 24.39 x 11.25	611 x 619 x 286	25.75	654	17.87	454	10.25	260	19.25	489	19.25	489	21.25	540	20.00	508	AWF2424__
30208-RHCF	32.86 x 20.99 x 9.89	835 x 533 x 251	29.90 x 20.14 x 9.23	760 x 511 x 234	31.75	806	14.25	362	8.23	209	25.25	641	15.25	387	27.00	686	16.50	419	AWF3020__
302010-RHCF	32.86 x 20.99 x 11.89	835 x 533 x 302	29.90 x 20.14 x 11.23	760 x 511 x 285	31.75	806	14.25	362	10.23	260	25.25	641	15.25	387	27.00	686	16.50	419	AWF3020__
302410-RHCF	33.41 x 26.32 x 11.95	849 x 668 x 304	30.46 x 25.47 x 11.27	774 x 647 x 286	32.25	819	18.50	470	10.27	261	25.25	641	19.25	489	27.38	695	21.25	540	AWF3024__
302412-RHCF	33.41 x 26.32 x 13.79	849 x 668 x 350	30.46 x 25.47 x 13.10	774 x 647 x 333	32.25	819	18.50	470	12.10	307	25.25	641	19.25	489	27.38	695	21.25	540	AWF3024__
36308-RHCF	39.31 x 32.50 x 10.05	999 x 826 x 255	36.31 x 31.69 x 9.36	922 x 805 x 238	38.13	968	23.88	606	8.36	212	31.25	794	25.25	641	33.25	845	27.25	692	AWF3630__
363010-RHCF	39.31 x 32.50 x 12.05	999 x 826 x 306	36.31 x 31.69 x 11.36	922 x 805 x 289	38.13	968	23.88	606	10.36	263	31.25	794	25.25	641	33.25	845	27.25	692	AWF3630__
363012-RHCF	39.31 x 32.50 x 14.05	999 x 826 x 357	36.31 x 31.69 x 13.36	922 x 805 x 339	38.13	968	23.88	606	12.36	314	31.25	794	25.25	641	33.25	845	27.25	692	AWF3630__
483612-RHCF	51.29 x 36.62 x 14.43	1303 x 930 x 367	48.33 x 36.22 x 13.25	1228 x 920 x 336	50.12	1273	29.25	743	12.25	311	43.25	1099	31.25	794	45.25	1149	32.00	813	AWF4836__
483616-RHCF	51.29 x 36.62 x 18.43	1303 x 930 x 468	48.33 x 36.22 x 17.25	1228 x 920 x 438	50.12	1273	29.25	743	16.25	413	43.25	1099	31.25	794	45.25	1149	32.00	813	AWF4836__

Panel Finishes

Example: AW108__

Insert for __

P = Carbon Steel
SP = Stainless Steel
AP = Aluminum



Notes: Dimensions are in inches. Millimeters shown are for reference only. Data subject to change without notice.